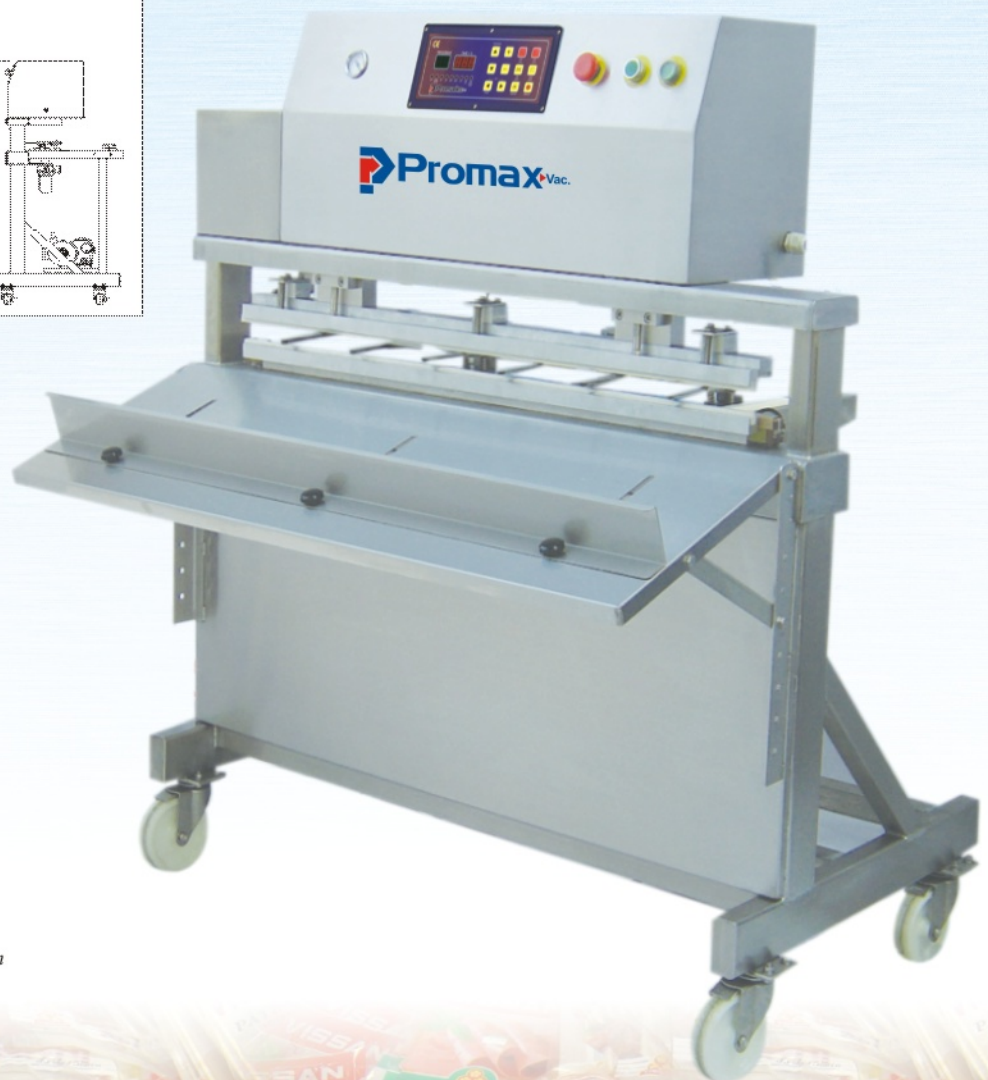
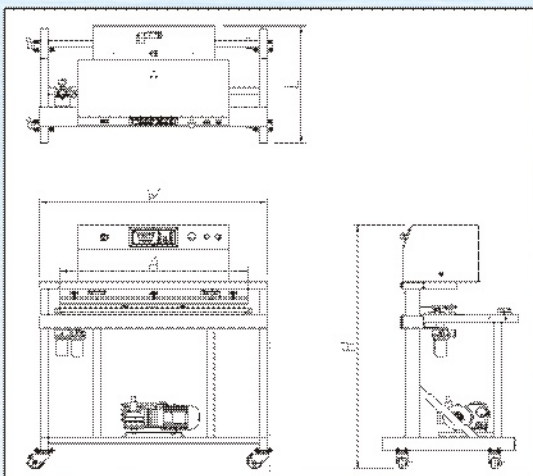


# NZ Series Nozzle Type Vacuum Packaging Machines Technical Specifications

MODELS	NZ-600	NZ-1000	NZ-1500	NZ-2000	NZ-2500	NZ-3000
Seal Bar Length(A)	23.6"/600mm	39.3"/1000mm	59.0"/1500mm	78.7"/2000mm	98.4"/2500mm	118"/3000mm
Vacuum Pump Capacity	6m3/h (1/2 hp)	21m3/h (1-1/4 hp)	21m3/h (1-1/4 hp)	40m3/h (2 hp)	40m3/h (2 hp)	63m3/h (3 hp)
Power /Amp	0.37kw/2.3A	0.75kw/6.5A	0.75kw/6.5A	1.1kw/7.5A	1.1kw/7.5A	1.5kw/9A
Voltage	110V/1ph/60Hz	110V/1ph/60Hz	110V/1ph/60Hz	230V/3ph/60Hz	230V/3ph/60Hz	230V/3ph/60Hz
Machine Size LxWxH	28.5"x47.5"x59" 720x1210x1500mm	28.5"x47.5"x59" 720x1210x1500mm	28.5"x67.3"x59" 720x1710x1500mm	35.8"x87"x59" 910x2210x1500mm	35.8"x106.6"x59" 910x2710x1500mm	35.8"x126.3"x59" 910x3210x1500mm
Machine Weight	385 lbs / 175kg	396 lbs / 180kg	484 lbs / 220kg	616 lbs / 280kg	704 lbs / 320kg	880 lbs / 400kg



## Standard Features:

- Heavy duty stainless steel construction
- Busch vacuum pump  
(N-1000/1500/2000/2500/3000)
- Casters
- Foldable table
- Computerized water resistant control panel (IP 56)  
(12programs with oil indicator)
- Gas flush

## Options:

- Bag holding clips
- Top and bottom seal
- Voltage
- Sensor control
- Soft air
- Gas tank
- Digital seal temperature control system
- Custom sizes are available

**All specifications are subject to change without notice.**

